

KaVo PHYSIO Evo

Sitting comfortably:
Ergonomics meet design.



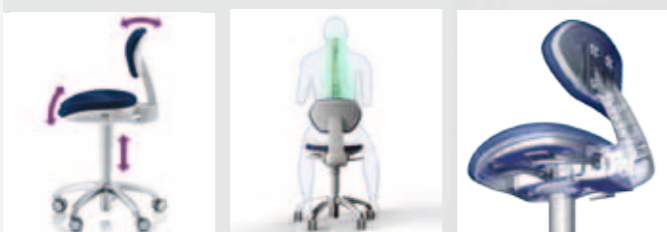
KaVo. Dental Excellence.

Comfort made beautiful.

It's all about your back.

For dentists, it is particularly important to assume a steady, ergonomically healthy and comfortable body posture in any treatment situation. And nothing influences your body posture as much as the chair that you sit on every day.

KaVo is renowned for creating products that optimise both ergonomic design and comfort. In keeping with this, the new KaVo PHYSIO Evo is precisely designed according to the needs and workflows of dentists and dental assistants.



Ergonomics and comfort in perfect harmony: with the KaVo PHYSIO Evo, you always sit with a healthy, natural posture.

Correct posture is key.

The intelligent chair concept of the KaVo PHYSIO Evo fulfills the highest demands on an ergonomic sitting position. Thanks to independent adjustment functions, the seating area and the backrest may be set individually to your anatomical requirements and personal treatment style. The greatest possible sitting comfort allows for the smoothest workflow.

Ergonomics are a matter of detail.

The backrest and seat cushion of the KaVo PHYSIO Evo are ergonomically shaped. The central ridge in the seat cushion provides stable sitting and prevents any sliding even in case of short, quick rolling motions. The rounded thigh support allows for freedom of motion.

Thanks to the spring force-supported backrest, the back muscles – in particular in the lumbar region – are permanently actively supported and thus continuously protected.

An excellent concept.

The KaVo PHYSIO Evo has been awarded the seal of approval of the German association "Campaign for Healthier Backs" (AGR). This is awarded by an independent, multidisciplinary expert commission according to strict test criteria regarding ergonomics and health.



Innovative design and KaVo quality go hand in hand.

Form and colour sit well together.

The KaVo PHYSIO Evo has a lean, modern construction and offers a large variety of colours. The compact construction and small diameter of the base offer plenty of freedom of movement even within a tight space. The colour range of the KaVo PHYSIO Evo matches the colours of the treatment units KaVo ESTETICA E80, E70 and E50.

KaVo quality you can count on.

High-quality materials produced to the highest KaVo standards plus comprehensive endurance tests guarantee a long service life. Likewise, the KaVo PHYSIO Evo allows for quick and reliable hygiene: all the components used in manufacture have been assembled with the lowest gaps and the surface is easily cleaned.

Dental excellence pays off.

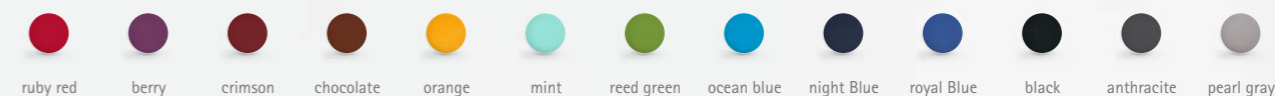
An ergonomically healthy sitting posture may have a significant influence on the profitability of your practice. Because in the long term, continuously working with a healthy posture and not experiencing any health issues is priceless for you and your employees.



An extremely lean base for plenty of freedom of motion and soft, braked castors for controlled rolling motions.

All the benefits at a glance.

- Perfect ergonomics with maximum comfort for healthy and fatigue-free working
- Perfectly finished KaVo quality for trouble-free performance in the day-to-day operations of your practice
- Attractive colours and a modern design for an individual configuration of the practice
- Best hygiene thanks to precisely tuned components with very small gaps and surfaces that are easy to clean.

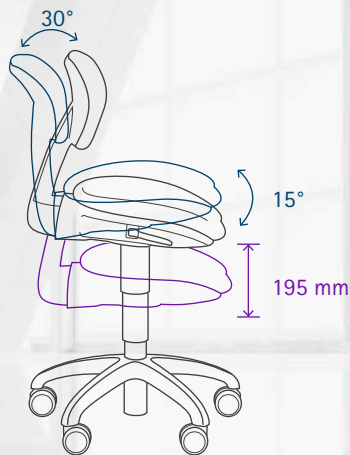


ruby red berry crimson chocolate brown orange mint reed green ocean blue night Blue royal Blue black anthracite pearl gray



Technical Specifications

Minimum height of the seat	465 mm
Maximum height of the seat	660 mm
<hr/>	
Adjustment range of the seat height	195 mm
<hr/>	
Max. width of the seat	400 mm
Depth of the seat	380 mm
<hr/>	
Adjustment range for the backrest/seat tilt	30°
Seat inclination	15°
<hr/>	
Base diameter	535 mm
<hr/>	
Weight	12.5 kg
<hr/>	



We reserve the right to make technical modifications. Slight colour differences are due to the printing process. © Copyright KaVo Dental GmbH.



KaVo. Dental Excellence.